

Preliminary Specifications Subject to Change without Notice

DESCRIPTION

The JW[®]H6344 is a synchronous buck regulator controller. Operating with an input range of 6V~65V, the JWH6344 adopts voltage mode control and provides high efficiency, excellent transient response, and high DC output accuracy needed for low output voltage, high current, PC system power rail and similar POL power supply in digital consumer products.

The JWH6344 guarantees robustness with thermal protection, short-circuit protection, over current protection and VCC under voltage protection.

The JWH6344 is available in QFN3.5X4.5-20 package, which provides a compact solution with minimal external components.

Company's Logo is Protected, "JW" and "JOULWATT" are Registered Trademarks of JoulWatt technology Inc.

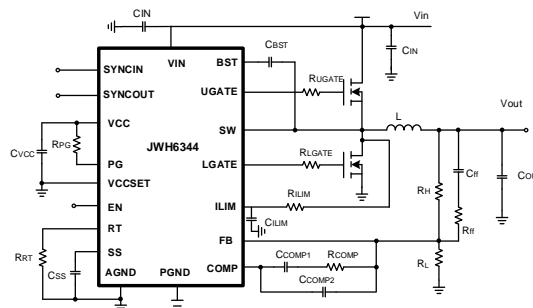
FEATURES

- 6V to 65V operating input range without external VCC
- 0.8V to 55V output voltage range
- Built-in $\pm 1\%$ 0.8V reference voltage
- Switching frequency from 100kHz to 1MHz
- -SYNC in and SYNC out capability
- 7.5V or 10V gate drivers for standard V_{TH} MOSFETs
- -25ns dead time
- -2.3A source and 3.5A sink capability
- -Low-side soft-start for pre-bias start-up
- Programmable current limit by low side $R_{DS(ON)}$ sensing or shunt sensing
- Adjustable soft-start or optional voltage tracking
- Built-in OCP/UVP
- Power good indicator
- Thermal protection
- Available in QFN3.5X4.5-20 package

APPLICATIONS

- Networking and Computing Power
- Industrial Motor Drive

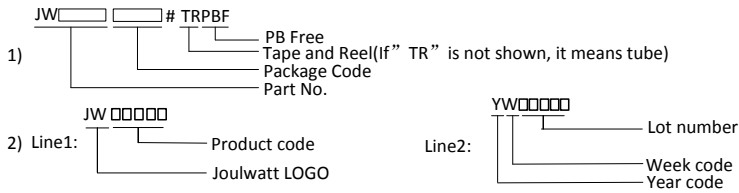
TYPICAL APPLICATION



ORDER INFORMATION

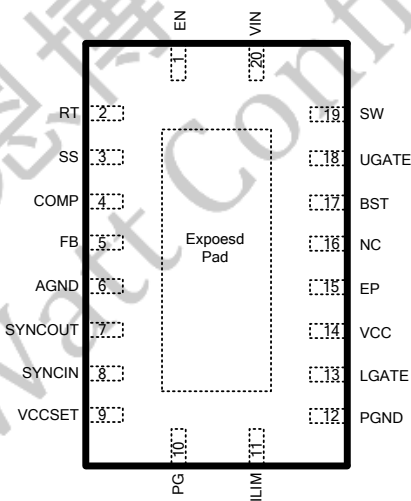
| DEVICE ¹⁾ | PACKAGE | TOP MARKING ²⁾ |
|----------------------|---------------|---------------------------|
| JWH6344QFNAC#TRPBF | QFN3.5X4.5-20 | JWH6344 YW□□□□□ |

Notes:



PIN CONFIGURATION

TOP VIEW



ABSOLUTE MAXIMUM RATING¹⁾

| | |
|--|------------------------------|
| VIN, EN Pins | -0.3V to 80V |
| SW Pin | -1V(-10V for 20ns) to 80V |
| BST Pin | SW-0.3V to SW+14V |
| ILIM Pin | -0.6V to 80V |
| VCC, PG, SYNCIN, VCCSET Pins | -0.3V to 14V |
| FB, COMP, SS, RT Pins | -0.3V to 6V |
| UGATE to SW Pin | -0.3V (-10V for 20ns) to 14V |
| LGATE to GND Pin | -0.3V(-10V for 20ns) to 14V |
| Junction Temperature ²⁾ | 150°C |
| Lead Temperature | 260°C |
| Storage Temperature | -65°C to +150°C |
| ESD Susceptibility (Human Body Model)..... | 2kV |
| ESD Susceptibility (Charged Device Model)..... | 500V |

RECOMMENDED OPERATING CONDITIONS³⁾

| | |
|--|----------------|
| Input Voltage VIN without External VCC | 6V to 65V |
| Input Voltage VIN with External VCC | 5V to 60V |
| External VCC | 8V to 13V |
| Output Voltage Vout..... | 0.8V to 55V |
| Operating Junction Temperature | -40°C to 125°C |

THERMAL PERFORMANCE⁴⁾

| | θ_{JA} | θ_{JC} | θ_{JB} |
|---------------------|---------------|---------------|---------------|
| QFN3.5X4.5-20 | 37 | 2.1 | 11.8 °C/W |

Note:

- 1) Exceeding these ratings may damage the device. These stress ratings do not imply function operation of the device at any other conditions beyond those indicated under RECOMMENDED OPERATING CONDITIONS.
- 2) The JWH6344 includes thermal protection that is intended to protect the device in overload conditions. Continuous operation over the specified absolute maximum operating junction temperature may damage the device.
- 3) The device is not guaranteed to function outside of its operating conditions.
- 4) Measured on JESD51-7, 4-layer PCB

ELECTRICAL CHARACTERISTICS

$V_{IN} = 48V, V_{EN}=1.5V, R_{RT}=25k\Omega, T_J = -40^{\circ}C \sim 125^{\circ}C, \text{ unless otherwise stated.}$

| Item | Symbol | Condition | Min. | Typ. | Max. | Units |
|---|----------------------|---|-------|------|-------|---------|
| Shutdown Current | I_{SD} | $V_{EN}=0V, V_{VCC}<1V,$ $T_A=25^{\circ}C$ | | 15 | 20 | μA |
| Standby Input Current | I_{Q_STBY} | $V_{EN}=1V$ | | 450 | 800 | μA |
| Operating Input Current, Not Switching | I_{Q_RUN} | $V_{EN}=1.5V, V_{SS}=0V$ | | 600 | 800 | μA |
| VCC Under-voltage Lockout Threshold | V_{VCC_MIN} | V_{VCC} rising | 4.8 | 5 | 5.2 | V |
| VCC Under-voltage Lockout Hysteresis | $V_{VCC_MIN_HYST}$ | V_{VCC} falling | | 370 | | mV |
| VCC Regulation Voltage | V_{VCC} | $V_{SS}=0V, 9V \leq V_{IN} \leq 65V,$ $0mA \leq I_{VCC} \leq 20mA,$ $V_{VGSET}=GND \text{ or floating}$ | 7.3 | 7.5 | 7.7 | V |
| | | $V_{SS}=0V, 12V \leq V_{IN} \leq 65V,$ $0mA \leq I_{VCC} \leq 20mA,$ $V_{VGSET} \geq 5V$ | 9.7 | 10 | 10.3 | V |
| VIN to VCC dropout voltage | V_{VCC_LDO} | $V_{IN}=6V, V_{SS}=0V,$ $I_{VCC}=20mA$ | | 0.4 | 0.7 | V |
| VCC Short-circuit Current Limit | I_{SC_LDO} | $V_{SS}=0V, V_{VCC}=0V,$ | 40 | 60 | 90 | mA |
| Minimum External Bias Supply Voltage | V_{VCC_EXT} | Voltage required to disable VCC regulator, $V_{VGSET}=GND \text{ or floating}$ | 8 | | | V |
| External VCC Input Current, Not Switching | I_{VCC} | $V_{SS}=0V, V_{VCC}=13V,$ | | | 2.1 | mA |
| Feedback Voltage | V_{FB} | FB connected to COMP | 792 | 800 | 808 | mV |
| FB Input Bias Current | I_{FB} | $V_{FB}=0.8V$ | -0.1 | | 0.1 | μA |
| COMP Output High Voltage ⁵⁾ | V_{COMP_HO} | $V_{FB}=0V, \text{ COMP sourcing } 1mA$ | | 5 | | V |
| COMP Output Low Voltage | V_{COMP_LO} | COMP sinking 1mA | | 0.5 | | V |
| Error Amplifier DC Gain ⁵⁾ | Gain | | | 110 | | dB |
| Enable Shutdown to Standby Threshold | V_{SDN} | V_{EN} rising | | 0.4 | | V |
| Enable Shutdown Threshold | V_{SDN_HYS} | V_{EN} falling | | 50 | | mV |
| Enable Standby to Operating Threshold | V_{EN_H} | V_{EN} rising | 1.164 | 1.2 | 1.236 | V |

| | | | | | | |
|---|------------------------|--|---------------------------|------|------|---------|
| Enable Standby to Operating Threshold | V _{EN_L} | V _{EN} falling | 1 | 1.09 | 1.18 | V |
| Enable Standby to Operating Threshold Hysteresis | V _{EN_HYS} | V _{EN} falling | | 115 | | mV |
| Enable Standby to Operating Hysteresis Current | | V _{EN} =1.5V | 9 | 10 | 11 | μA |
| Minimum Controllable On Time ⁵⁾ | T _{ON_MIN} | V _{BST} -V _{SW} =7V, UGATE 50% to 50% | | 40 | 60 | ns |
| Minimum Off Time ⁵⁾ | T _{OFF_MIN} | V _{BST} -V _{SW} =7V, UGATE 50% to 50% | | 210 | 320 | ns |
| Maximum Duty cycle | D _{MAX} | F _{SW} =100kHz, 6V≤V _{IN} ≤60V | 95% | 97% | | |
| | | F _{SW} =400kHz, 6V≤V _{IN} ≤60V | 86% | 89% | | |
| Ramp valley voltage (COMP at 0% duty cycle) | V _{RAMP_MIN} | | | 500 | | mV |
| PWM Feed-forward Gain ⁵⁾ | k _{FF} | 6V≤V _{IN} ≤100V, | | 15 | | V/V |
| Internal Boot Strap Switch On resistance | R _{BST} | | | | 9 | Ω |
| BST to SW Quiescent Current, Not Switching | I _{Q_BST} | V _{SS} =0V, V _{BST} =54V, V _{SW} =48V | | 45 | | μA |
| BST to SW Under-voltage Detection | V _{BST_UV} | V _{BST} -V _{SW} Falling | | 3.6 | | V |
| BST to SW Under-voltage Hysteresis | V _{BST_HYS} | V _{BST} -V _{SW} Rising | | 0.4 | | V |
| ILIM Source Current | I _{RS} | R _{SENSE} Mode | 90 | 100 | 110 | μA |
| | I _{RDSON} | R _{DSON} Mode@25°C | 180 | 200 | 240 | μA |
| ILIM Source Current TC ⁵⁾ | I _{RSTC} | R _{SENSE} Mode | | 0 | | ppm/ °C |
| | I _{RDSONTC} | R _{DSON} Mode | | 4500 | | ppm/ °C |
| ILIM comparator threshold at ILIM ⁵⁾ | V _{ILIM_TH} | | -8 | -2 | 3.5 | mV |
| SCP Clamp Offset Voltage ⁵⁾ | V _{CLAMP_OS} | Clamp to COMP steady state offset voltage | 0.56+ V _{IN} /75 | | | V |
| Minimum Clamp Voltage ⁵⁾ | V _{CLAMP_MIN} | Clamp voltage with continuous current limiting | 0.56+V _{IN} /150 | | | V |
| Hiccup Mode Activation Delay ⁵⁾ | C _{HICC_DEL} | | | 128 | | cycles |
| Hiccup Mode Off-time After Activation ⁵⁾ | C _{HICCUP} | | | 8192 | | cycles |
| Zero-cross Detect Disable Threshold (CCM) ⁵⁾ | V _{ZCD_DIS} | | | 200 | | mV |

| | | | | | | |
|--|--|---|-------|-------|-------|-----|
| Zero-cross Detect Soft-start Ramp ⁵⁾ | V _{ZCD_SS} | | | 0 | | mV |
| Diode Emulation Zero-cross Threshold ⁵⁾ | V _{DE_TH} | Measured at SW with V _{SW} rising | -5 | 0 | 5 | mV |
| SS Charge Current | I _{SS} | V _{SS} =0V | 8.5 | 10 | 12 | μA |
| SS Discharge FET Resistance | R _{SS_DIS} | V _{EN} = 0.8V, V _{SS} =0.1V | | 11 | | Ω |
| SS to FB Offset | V _{SS_FB} | | -15 | | 15 | mV |
| SS Clamp Voltage | V _{SS_CLAMP} | V _{SS} - V _{FB} , V _{FB} = 0V | | 0.1 | | V |
| UGATE Drive Source | R _{UGATE_SR} | V _{BST} -V _{SW} =7V, I _{UGATE} =-100mA | | 1.5 | | Ω |
| UGATE Drive Sink | R _{UGATE_SK} | V _{BST} -V _{SW} =7V, I _{UGATE} =100mA | | 0.9 | | Ω |
| LGATE Drive Source | R _{LGATE_SR} | V _{VCC} =7V, I _{LGATE} =-100mA | | 1.5 | | Ω |
| LGATE Drive Sink | R _{LGATE_SK} | V _{VCC} =7V, I _{LGATE} =100mA | | 0.9 | | Ω |
| UGATE, LGATE Source Current ⁵⁾ | I _{UGATEH} , I _{LGATEH} | V _{BST} - V _{SW} = 7 V, UGATE = SW, LGATE = AGND | | 2.3 | | A |
| UGATE, LGATE Sink Current ⁵⁾ | I _{UGATEL} , I _{LGATEL} | V _{BST} - V _{SW} = 7 V, UGATE = BST, LGATE = VCC | | 3.5 | | A |
| Dead Time ⁵⁾ | T _D | V _{BST} -V _{SW} =7V, LGATE off to UGATE on, 50% to 50% | | 25 | | ns |
| | | V _{BST} -V _{SW} =7V, UGATE off to LGATE on, 50% to 50% | | 25 | | ns |
| UGATE, LGATE Rising Times ⁵⁾ | T _{TR} | V _{BST} -V _{SW} =7V, C _{LOAD} =1nF, 20% to 80% | | 7 | | ns |
| UGATE, LGATE Falling Times ⁵⁾ | T _{TF} | V _{BST} -V _{SW} =7V, C _{LOAD} =1nF, 80% to 20% | | 4 | | ns |
| Power Good Lower Threshold | P _{GLTH} | % of V _{REF} , FB falling, hysteresis=2% | 89.7% | 92.7% | 95.7% | |
| Power Good Upper Threshold | P _{GUTH} | % of V _{REF} , FB rising, hysteresis=3% | 105% | 108% | 111% | |
| Power Good Delay | P _{GDLY} | PG from low to high or low to high | | 36 | | us |
| Power Good Sink Current | I _{PG} | V _{FB} =0.9V, V _{PG} =0.4V | 4 | | | mA |
| Oscillator Frequency | F _{SW} | R _{RT} =100k | 80 | 100 | 120 | kHz |
| | | R _{RT} =25k | 370 | 400 | 430 | kHz |
| | | R _{RT} =12.5k | 675 | 740 | 805 | kHz |
| SYNCIN External Clock Frequency Range | F _{SYNC} | % of nominal frequency set by R _{RT} | -30% | | 50% | |
| Minimum SYNCIN Input Logic | V _{SYNC_IH} | | 3 | | | V |

| | | | | | | |
|---|------------------------|---|----|-----------------------|-----|----|
| High | | | | | | |
| Minimum SYNCIN Input Logic Low | V _{SYNC_IL} | | | | 0.5 | V |
| SYNCIN Input Resistance | R _{SYNCIN} | V _{SYNCIN} =3V | | 17.5 | | kΩ |
| SYNCIN Input Minimum Pulse Width | T _{SYNCIN_PW} | Minimum high state | 50 | | | ns |
| SYNCOUT High-state Output Voltage | V _{SYNCOUT_H} | I _{SYNCOUT} =-1mA (sourcing) | 3 | | | V |
| SYNCOUT Low-state Output Voltage | V _{SYNCOUT_L} | I _{SYNCOUT} =1mA (sinking) | | | 0.4 | V |
| Delay from UGATE Rising to SYNCOUT Leading Edge | T _{SYNCOUT} | V _{SYNCIN} =0V, T _s =1/F _{sw} , F _{sw} set by R _{RT} | | T _s /2-220 | | ns |
| Delay from SYNCIN Leading Edge to UGATE Rising | T _{SYNCIN} | 50% to 50% | | 250 | | ns |
| VCCSET Logic High Input Voltage | V _{VCCSET_H} | | 5 | | | V |
| VCCSET Logic Low Input Voltage | V _{VCCSET_L} | | | | 0.7 | V |
| Thermal Shutdown ⁵⁾ | T _{TSD} | T _j rising | | 180 | | °C |
| Thermal Shutdown Hysteresis ⁵⁾ | T _{TSD_HYS} | | | 20 | | °C |

Note:

5) Guaranteed by design.

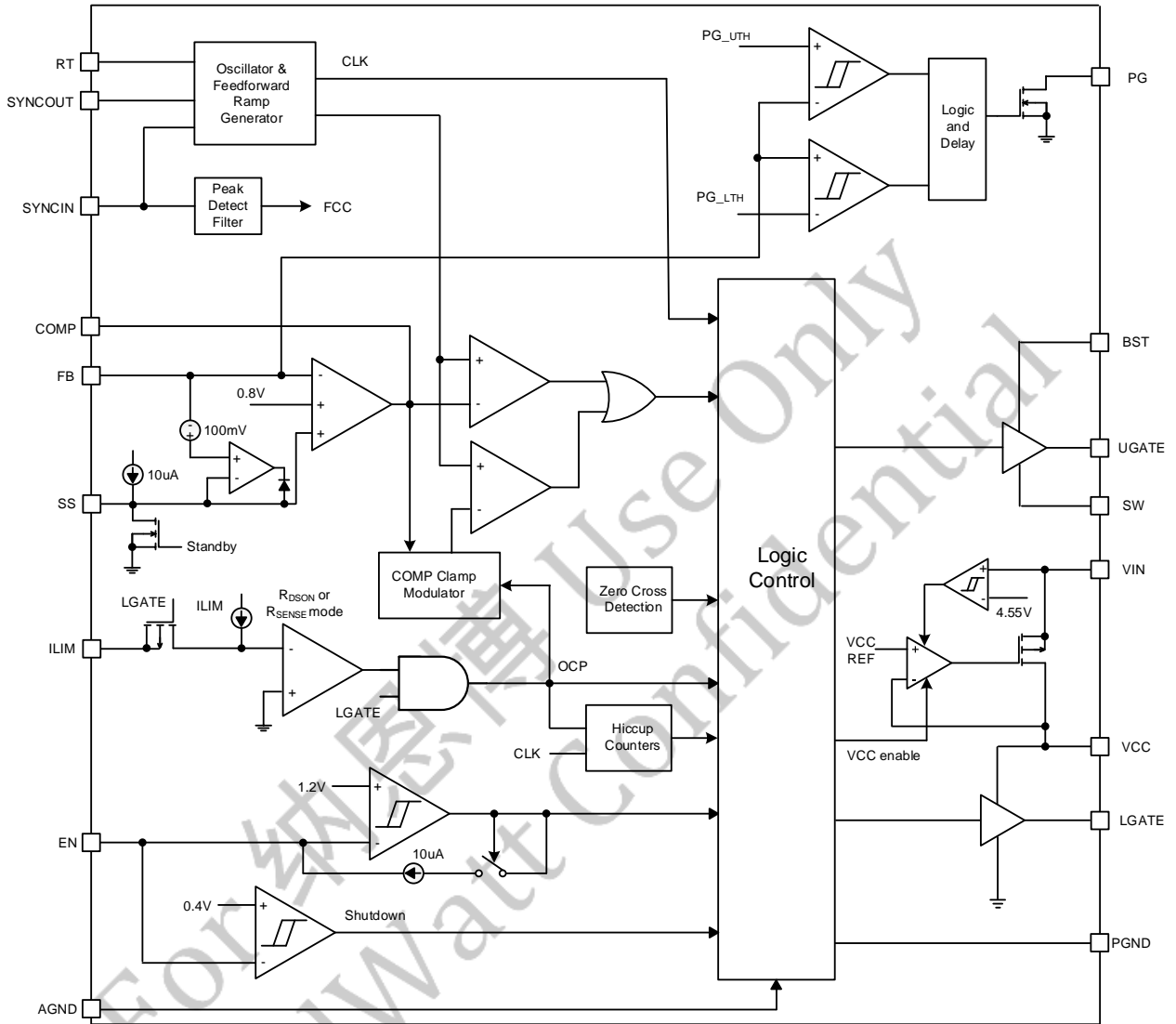
PIN DESCRIPTION

| Pin | Name | Description |
|-----|---------|--|
| 1 | EN | Enable input pin. If the EN voltage is lower than 0.4V, the device entry shutdown mode with all function disabled; if the EN voltage is higher than 0.4V and lower than 1.2V, the regulator is in standby mode which the VCC regulator operational, the SS pin grounded and no switching at the UGATE/LGATE outputs; if the EN voltage is higher than 1.2V, the device entry normal operation mode. Once the EN voltage rises above the 1.2V threshold, a 10uA current source is enabled and flows through the external UVLO resistor divider to generate a hysteresis. The hysteresis at EN pin can be adjusted by the resistance of the external divider. |
| 2 | RT | Oscillator frequency program input. Connect a resistor from this pin to AGND to program the internal oscillator frequency. An RT resistor is required even when using the SYNCIN pin to synchronize to an external clock. |
| 3 | SS | External soft-start pin. A minimum capacitance from SS to AGND of 2.2nF is required. |
| 4 | COMP | Low impedance output if the internal error amplifier. The loop compensation network should be connected between COMP pin and FB pin. |
| 5 | FB | Output feedback pin. FB senses the output voltage and is regulated by the control loop to 800mV. Connect a resistive divider at FB pin. |
| 6 | AGND | Analog ground. |
| 7 | SYNCOUT | Synchronization output. |
| 8 | SYNCIN | Dual function pin for providing an optional clock input and for enabling diode emulation by the low-side MOSFET. Connecting a clock signal to the SYNCIN pin synchronizes switching to the external clock. Diode emulation by the low-side MOSFET is disabled when the controller is synchronized to an external clock, and negative inductor current can flow in the low-side MOSFET with light loads. A continuous logic low state at the SYNCIN pin or leave SYNCIN pin floating enables diode emulation to prevent reverse current flow in the inductor. Diode emulation results in DCM operation at light loads, which improves efficiency. A logic high state at the SYNCIN pin disables diode emulation producing forced-PWM (FCC) operation. |
| 9 | VCCSET | VCC regulation voltage setting pin. Pull the VCCSET pin higher than 5V, the VCC regulation voltage is 10V; Pull the VCCSET pin to ground or leave this pin floating, the VCC regulation voltage is 7.5V. |
| 10 | PG | Open drain output for power-good indicator. Use a 10kΩ to 100kΩ pull-up resistor to logic rail or other DC voltage no higher than 13V. |
| 11 | ILIM | Current limit adjust and current sense comparator input. An external resistor connected to the ILIM pin is used to program the valley current limit and the opposite end of the resistor can be connected to either the drain of the low-side MOSFET for RDS(on) sensing or to a current sense resistor connected to the source of the low-side FET. |
| 12 | PGND | Power ground. |
| 13 | LGATE | Gate drive output for low side external MOSFET. Connect to the gate of the low-side |

| | | |
|-------------|-------|--|
| | | synchronous rectifier FET through a short, low inductance path. |
| 14 | VCC | Output of the internal regulator output. Bypass to GND with a minimum 1uF ceramic capacitor. |
| 15 | EP | Pin internally connected to exposed pad of the package. |
| 16 | NC | No connection. |
| 17 | BST | Bootstrap pin for top switch. Connect through a capacitor to SW pin. |
| 18 | UGATE | Gate drive output for high side external MOSFET. Connect to the gate of the low-side synchronous rectifier FET through a short, low inductance path. |
| 19 | SW | SW is the switching node that supplies power to the output. Connect the output LC filter from SW to the output load. |
| 20 | VIN | Supply voltage for the internal VCC regulator. |
| Exposed-pad | | Exposed pad of the package. The exposed pad is recommended to be soldered to a large PCB and connected to GND for maximum power dissipation. |

For 纳恩博 Use Only
JoulWatt Confidential

BLOCK DIAGRAM



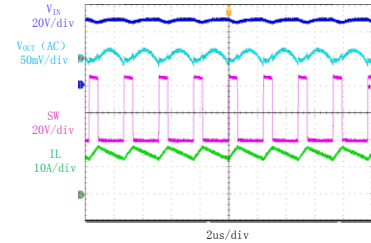
TYPICAL PERFORMANCE CHARACTERISTICS

$V_{IN}=48V$, $V_{OUT}=12V$, $L = 4.5\mu H$, $C_{OUT} = 47*5\mu F$, $R_T = 24.9K\Omega$, $T_A = +25^\circ C$, unless otherwise noted

Steady State Test

$V_{IN}=48V$, $V_{OUT}=12V$

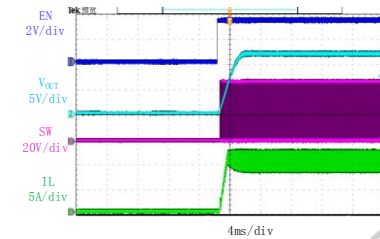
$I_{OUT}=15A$



Startup through Enable

$V_{IN}=48V$, $V_{OUT}=12V$

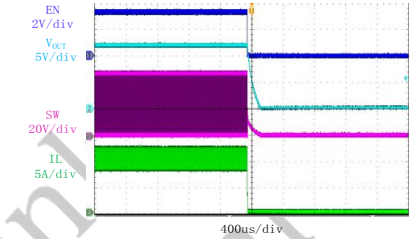
$I_{OUT}=10A$ (Resistive load)



Shutdown through Enable

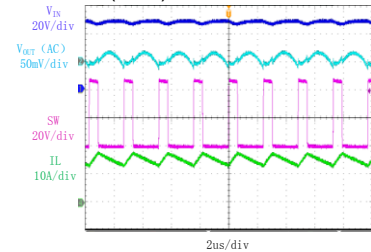
$V_{IN}=48V$, $V_{OUT}=12V$

$I_{OUT}=10A$ (Resistive load)



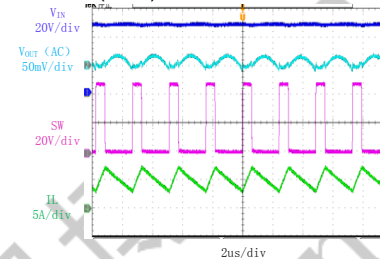
Heavy Load Operation

15A LOAD(PFM)



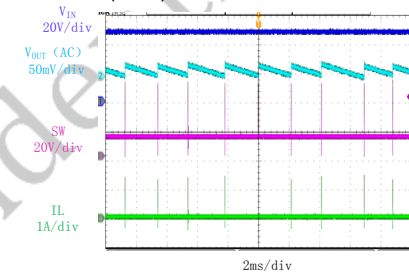
Light Load Operation

5A LOAD(PFM)



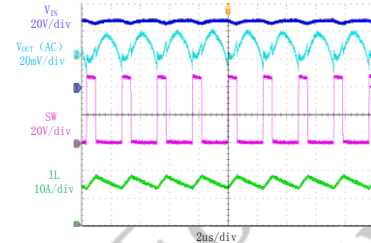
No Load Operation

0 A LOAD(PFM)



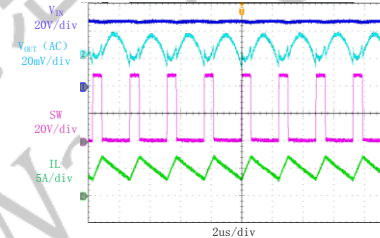
Heavy Load Operation

15A LOAD(FCC)



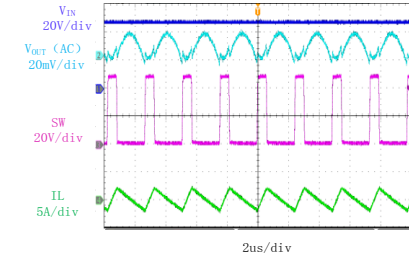
Light Load Operation

5A LOAD(FCC)



No Load Operation

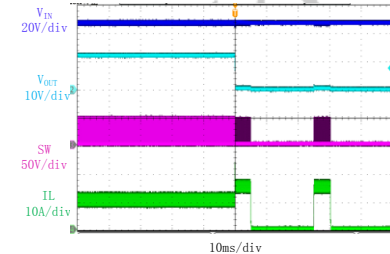
0 A LOAD(FCC)



Short Circuit Protection

$V_{IN}=48V$, $V_{OUT}=12V$

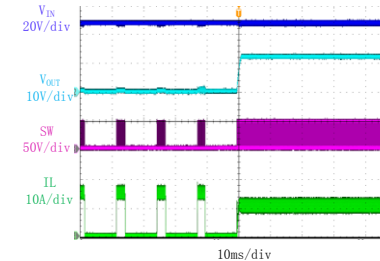
$I_{OUT}=10A$ - Short



Short Circuit Recovery

$V_{IN}=48V$, $V_{OUT}=12V$

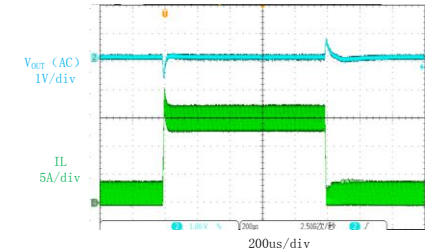
I_{OUT} = Short-10A



Load Transient

1.5A LOAD \rightarrow 15A LOAD \rightarrow 1.5A LOAD

Rate=2.5A/us



TYPICAL PERFORMANCE CHARACTERISTICS

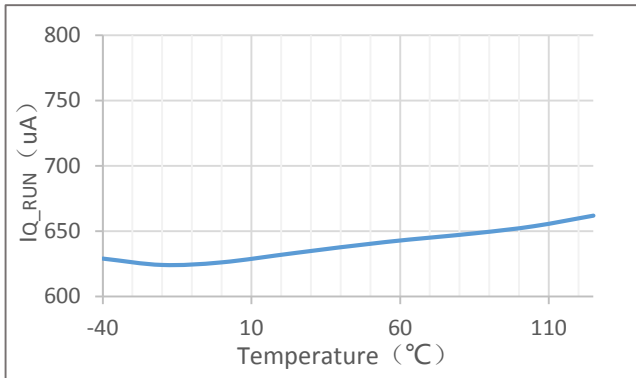


Figure 1. Operating Input Current vs Junction Temperature

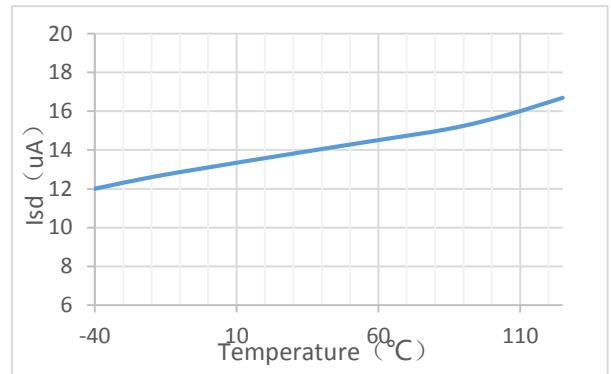


Figure 2. Shutdown Current vs Junction Temperature

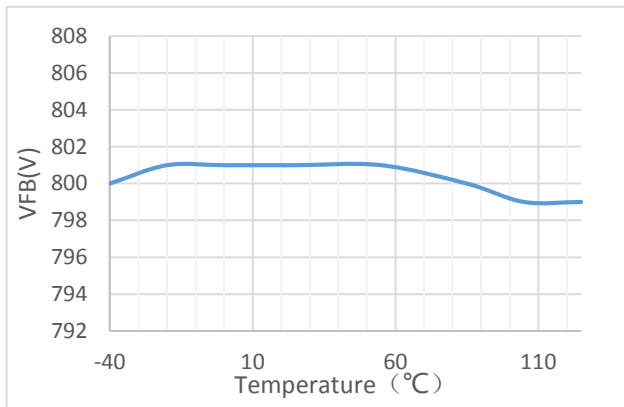


Figure 3. FB Voltage Regulation vs Junction Temperature

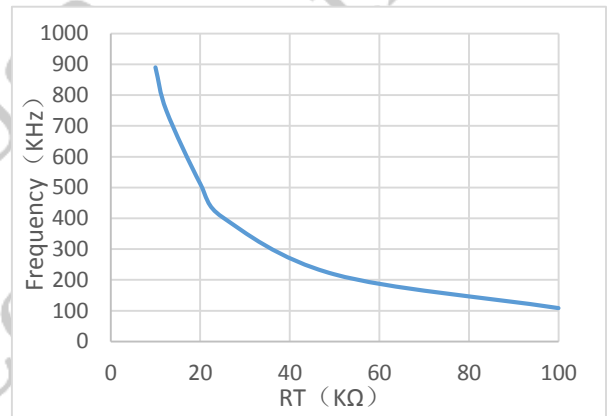


Figure 4. Switch Frequency vs RT

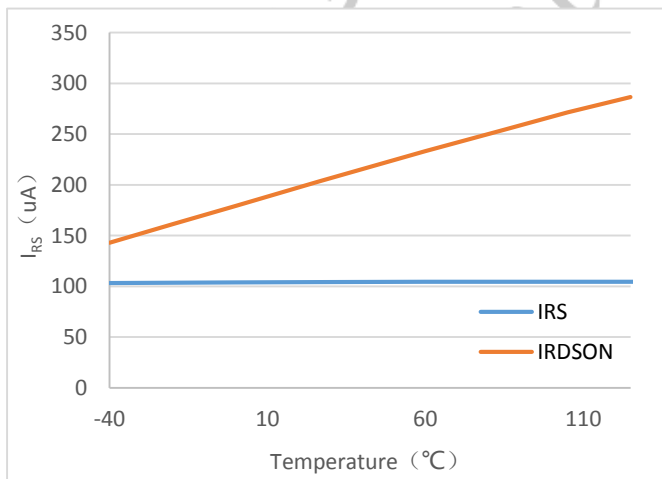


Figure 5. ILIM Current Source vs Junction Temperature

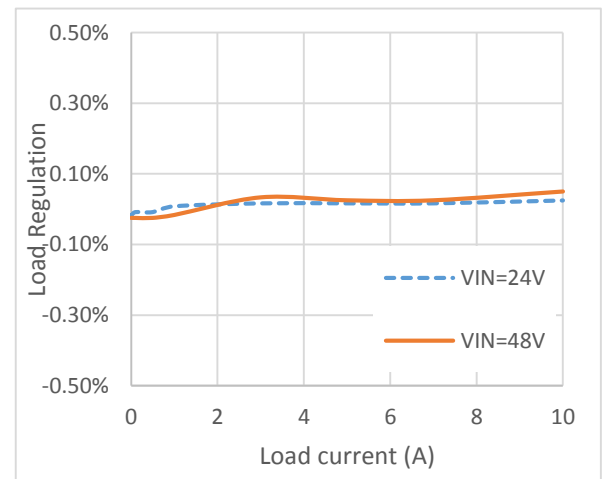


Figure 6. Load Regulation
(Vout=12V, L=4.5μH, Frequency=400kHz, FCC)

TYPICAL PERFORMANCE CHARACTERISTICS

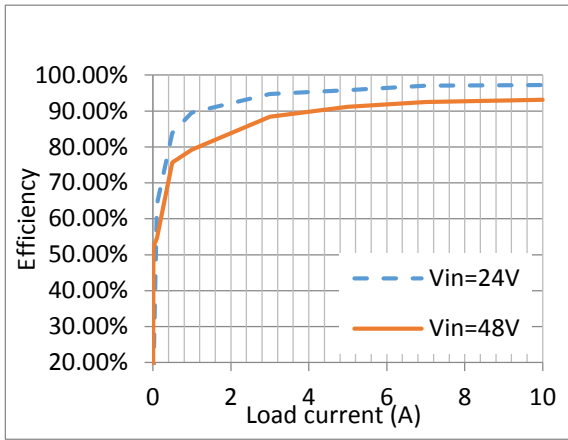


Figure 7. Efficiency vs Load Current

(Vout=12V, L=4.5µH, Frequency=400kHz, PFM)

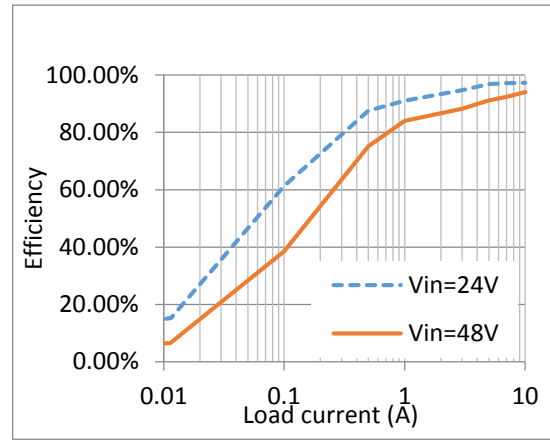


Figure 8. Efficiency vs Load Current

(Vout=12V, L=4.5µH, Frequency=400kHz, FCC)

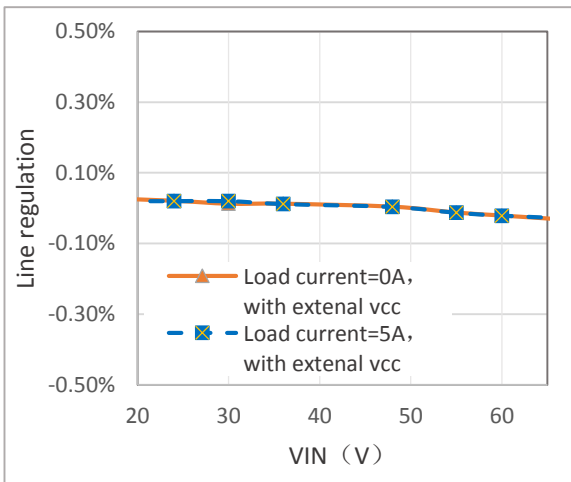


Figure 9. Line Regulation

(Vout=12V, L=4.5µH, Frequency=400kHz, FCC)

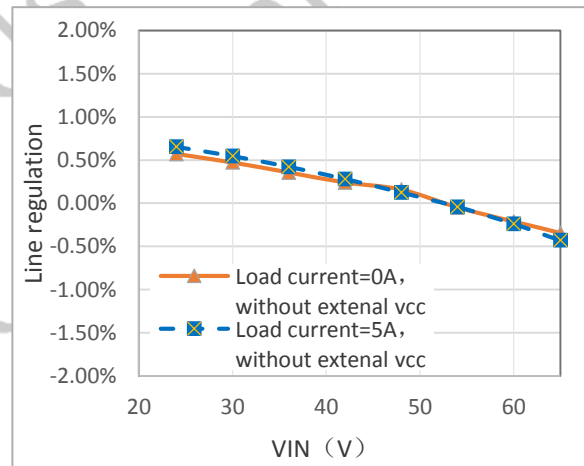


Figure 10. Line Regulation

(Vout=12V, L=4.5µH, Frequency=400kHz, FCC)

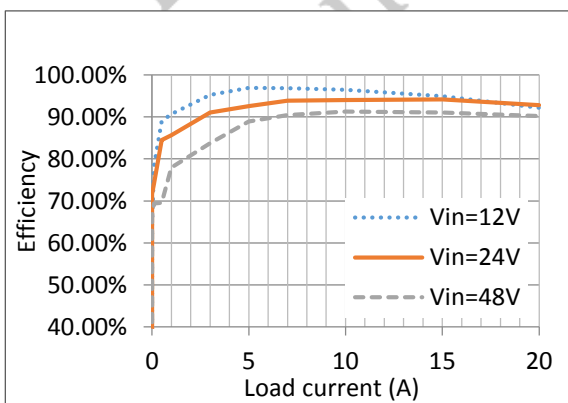


Figure 11. Efficiency vs Load Current

(Vout=5V, L=3.5µH, Frequency=200kHz, PFM)

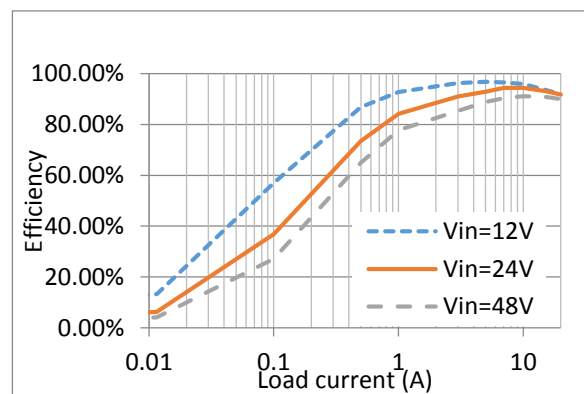


Figure 12. Efficiency vs Load Current

(Vout=5V, L=3.5µH, Frequency=200kHz, FCC)

FUNCTIONAL DESCRIPTION

The JWH6344 is a synchronous step-down PWM controller. It adopts voltage mode control and regulates input voltages from 6V to 65V down to an output voltage as low as 0.8V. The input voltages can be from 5V to 100V with external VCC.

Voltage-Mode Control

The JWH6344 utilizes a voltage-mode control with input voltage feed-forward to eliminate the input voltage dependence of the PWM modulator. A ramp is generated internally for the PWM modulation and the ramp voltage amplitude increases with input voltage increases to maintain constant modulator gain. The ramp is initiated at the falling edge of the internal clock and the high-side MOSFET is turned on at the same time. The output voltage is measured at the FB pin through a resistive voltage divider. The FB voltage is compared to the internal 0.8V reference voltage and the error is amplified by internal transconductance error amplifier. The output of the error amplifier (COMP) is compared with the ramp and once the ramp voltage rises above the COMP voltage, the high-side MOSFET is turned-off and the low-side MOSFET turns on until the falling edge of the clock comes.

PFM Mode

With SYNCIN pin pulled down to low or leave SYNCIN pin floating, the JWH6344 operates in PFM mode at light load. In PFM mode, switch frequency decreases when load current drops to boost power efficiency at light load by reducing switch-loss, while switch frequency increases when load current rises, minimizing output voltage ripples.

FCC Mode

When the SYNCIN pin is tied high, the controller keeps continuous conduction mode in light load condition. In this mode, switch frequency is kept almost constant over the entire load range which is suitable for applications need tight control of the switching frequency at a cost of lower efficiency.

Shut-Down Mode

The JWH6344 shuts down when voltage at EN pin is below 0.4V. The entire controller is off and the supply current consumed by the JWH6344 drops below 15uA.

Standby Mode

When voltage at EN pin rises above 0.4V and is below the precision enable threshold 1.2V(typ.), the JWH6344 enters standby mode. In the standby mode, the internal bias supply LDO is on and regulating but the switching action and output voltage regulation are disabled.

Active Mode

When voltage at EN pin rises above the precision enable threshold 1.2V(typ.) and the VCC voltage is above its rising UVLO threshold of 5V, the JWH6344 enters active mode. In active mode, all the functions are enabled.

Precision Enable and Adjustable UVLO Protection

The JWH6344 support adjustable input under-voltage lockout (UVLO) with hysteresis programmed by the resistor values for application specific power-up and power-down requirements and a resistive divider connected between V_{IN} and ground with the central tap

connected to EN can be used to adjust the input voltage UVLO. (Shown in Figure13). Once the EN pin voltage exceeds 1.2 V, an additional 10µA of hysteresis is added. This hysteresis current and the hysteresis voltage of the EN comparator itself will contribute to the hysteresis of the input voltage. Use below equation to set the input startup voltage and external hysteresis for the input voltage.

$$R_{EN_H} = \frac{(V_{EN} - V_{HYS})V_{STR} - V_{EN} \times V_{STOP}}{V_{EN} \times I_{HYS}}$$

$$R_{EN_L} = R_{EN_H} \times \frac{V_{EN}}{V_{STR} - V_{EN}}$$

If the hysteresis voltage of the EN comparator itself is not considered, the following formula can be used for rough calculation:

$$R_{EN_H} = \frac{V_{STR} - V_{STOP}}{I_{HYS}}$$

$$R_{EN_L} = R_{EN_H} \times \frac{V_{EN}}{V_{STR} - V_{EN}}$$

where $I_{HYS}=10\mu A$, $V_{EN} = 1.2V$, $V_{HYS}=115mV$.

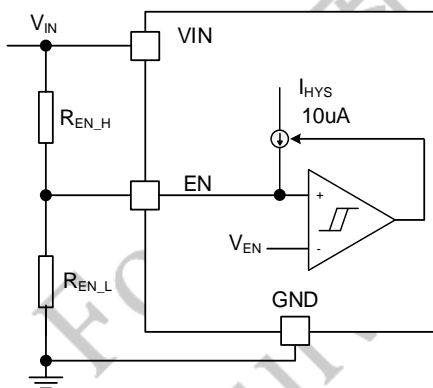


Figure13. UVLO Setting

VCC Regulator

JWH6344 has an internal high-voltage VCC regulator that provides the power supply for the PWM controller and its gate driver for the external MOSFETs. The output of the VCC regulator can be set by the VCCSET pin. If the VCCSET pin pulled low or floating, the output of the VCC regulator is 7.5V in typical; and if the VCCSET pin pulled high, the output of VCC

regulator is 10V in typical. When the input voltage drops below the VCC set-point level, the VCC output tracks VIN with a small voltage drop. Connect a ceramic decoupling capacitor between 1 µF and 5 µF from VCC to AGND for stability.

The VCC regulator has a current limit of 40mA (minimum) and under-voltage lockout protection. When the VCC voltage exceeds its rising UVLO threshold of 5 V, the output is enabled (if EN/UVLO is above 1.2 V) and the soft-start sequence begins. The output remains active until the VCC voltage falls below its falling UVLO threshold of 4.63V (typical) or if EN/UVLO goes to a standby or shutdown state. Internal power dissipation of the VCC regulator can be minimized by connecting the output voltage or an auxiliary bias supply rail (up to 13 V) to VCC using a diode D_{VCC}. This method can reduce the influence of internal VCC regulator circuit heating on the reference voltage. A diode in series with the input prevents reverse current flow from VCC to V_{IN} if the input voltage falls below the external VCC rail.

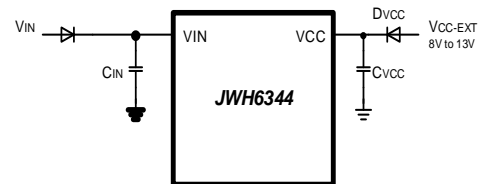


Figure14. VCC Bias Supply Connection From V_{OUT} or Auxiliary Supply

MOSFET Gate Driver

The high-side driver is designed to drive high current, low R_{DS(on)} N-MOSFET(s). When configured as a floating driver, 7.5V (or 10V) of bias voltage is delivered from VCC supply. The average drive current is also equal to the gate charge at V_{GS}=7.5V (or 10V) times switching frequency. The instantaneous drive current is supplied by the bootstrap capacitor between BST and SW pins. The drive capability is

represented by its internal resistance, which are 1.5Ω for BST to UGATE and 0.9Ω for UGATE to SW.

The low-side driver is designed to drive high current, low R_{DS(on)} N-MOSFET(s). The drive capability is represented by its internal resistance, which are 1.5Ω for VCC to LGATE and 0.9Ω for LGATE to GND. 7.5V (or 10V) bias voltage is delivered from VCC supply. The instantaneous drive current is supplied by an input capacitor connected between VCC and GND. The average drive current is equal to the gate charge at V_{GS}=7.5V (or 10V) times switching frequency. This gate drive current as well as the high-side gate drive current times 7.5V (or 10V) makes the driving power which need to be dissipated from JWH6344 package. An adaptive dead time is designed to present shoot through between high-side MOSFET off to low-side MOSFET on, and low-side MOSFET off to high-side MOSFET on.

External Soft-start

Soft-start is designed in JWH6344 to prevent the converter output voltage from overshooting during startup and short-circuit recovery and the soft-start time can be adjusted by a capacitor connected between SS pin and AGND. When the chip starts, a 10uA current source charges the SS capacitor and the soft-start time can be calculated by below Equation.

$$t_{ss} = \frac{C_{SS} * V_{REF}}{I_{SS}}$$

where C_{SS} is the SS capacitance between SS pin and AGND;

V_{REF} is the 0.8V internal reference voltage;

I_{SS} is the 10uA current sourced from SS pin.

When an overload event or short circuit event happens, the SS pin is internally clamped to V_{FB} +100mV to allow a soft-start recovery and the clamp circuit requires a soft-start capacitance greater than 2nF for stability.

Current Sense and Over-Current Protection

JWH6344 has a cycle-by-cycle overcurrent limiting control. A valley current limit is designed in the JWH6344 so that only when output current drops below the valley current limit can the high-side MOSFET be turned on. To provide both good accuracy and cost effective solution, the JWH6344 supports temperature compensated MOSFET R_{DS(on)} sensing mode and shunt resistor sensing mode, and it detects the appropriate mode at start-up and sets the source current amplitude and temperature coefficient (TC) accordingly. Figure15 portrays the R_{DS(on)} sensing mode which resistor R_{ILIM} is tied to SW to use the R_{DS(on)} of the low-side MOSFET as a sensing element (termed R_{DS(on)} mode) and Figure16 shows the shunt resistor sensing mode which R_{ILIM} is tied to a shunt resistor connected at the source of the low-side MOSFET (termed R_{SENSE} mode).

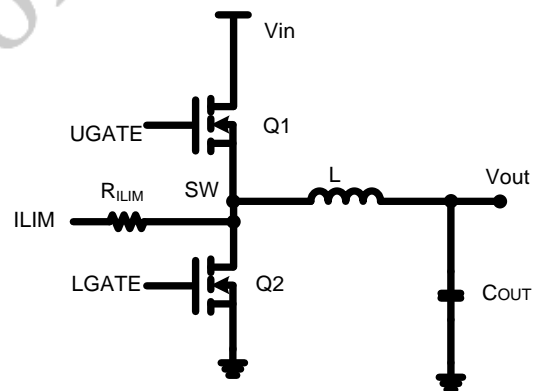


Figure15. MOSFET R_{DS(on)} Current Sensing

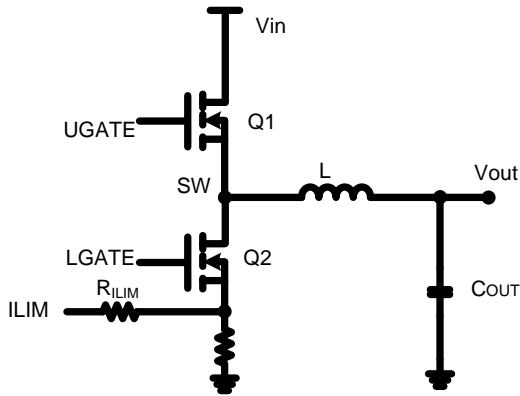


Figure16. Shunt Resistor Current Sensing

The ILIM pin of the JWH6344 sources a reference current that flows in an external resistor, designated R_{ILIM} , to program of the current limit threshold. A current limit comparator on the ILIM pin prevents further SW pulses if the ILIM pin voltage goes below GND. The ILIM current with R_{DSON} sensing is 200 μA at 25°C junction temperature and incorporates a TC of +4500 ppm/°C to generally track the R_{DSON} temperature variation of the low-side MOSFET. Conversely, the ILIM current is a constant 100 μA in R_{SENSE} mode. This controls the valley of the inductor current during a steady state overload at the output. Depending on the chosen mode, select the resistance of R_{ILIM} using below equation.

$$R_{ILIM} = \frac{I_{OUT} - \Delta I_L / 2}{I_{RDSON}} * R_{DSON} \text{ (RDSON mode)}$$

$$R_{ILIM} = \frac{I_{OUT} - \Delta I_L / 2}{I_{RS}} * R_S \text{ (RSENSE mode)}$$

where

- R_{DSON} is the on-resistance of low-side MOSFET;
- ΔI_L is the peak-to-peak inductor ripple current;
- I_{RDSON} is the ILIM pin current in R_{DSON} mode;
- R_S is the resistance of current sensing shunt element;
- I_{RS} is the ILIM pin current in R_{SENSE} mode.

In addition to valley current limiting, the JWH6344 uses a proprietary duty-cycle limiter circuit to reduce the PWM on-time during an

overcurrent condition. As shown in Figure17, an auxiliary PWM comparator along with a modulated CLAMP voltage limits how quickly the on-time increases in response to a large step in the COMP voltage that typically occurs with a voltage-mode control loop architecture. As depicted in Figure17, the CLAMP voltage, V_{CLAMP} , is normally regulated above the COMP voltage to provide adequate headroom during a response to a load-on transient. If the COMP voltage rises quickly during an overloaded or shorted output condition, the on-time pulse terminates thereby limiting the on-time and peak inductor current. Moreover, the CLAMP voltage is reduced if additional valley current limit events occur, further reducing the average output current.

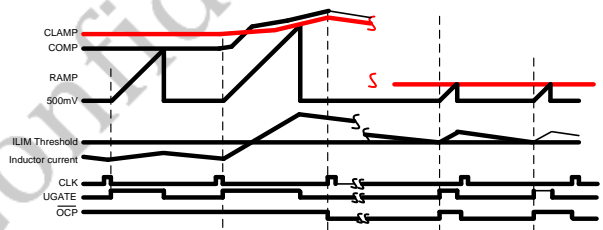


Figure17. OCP Duty Cycle Limiting Waveforms

If the overcurrent condition exists for 128 continuous clock cycles, a hiccup event is triggered and SS is pulled low for 8192 clock cycles before a soft-start sequence is initiated.

Power Good

The JWH6344 has power-good (PG) output. The PG pin is the open drain of a MOSFET. Connect to a voltage source (such as V_{OUT}) through a resistor (10k Ω to 100k Ω). When the FB voltage exceeds 94% of the internal reference V_{REF} , internal comparators detect power good state and the power good signal becomes high with 36 μs deglitch delay time. If the feedback voltage goes under 92% of the target value, the power good signal becomes

low with 36us deglitch delay time. Similarly, when the FB voltage exceeds 108% of the internal reference V_{REF} , the power good signal becomes low with 36us deglitch delay time. If the FB voltage subsequently falls below 105% of V_{REF} , the power good signal becomes high.

Switching Frequency

The switching frequency can be adjusted by the

Clock Synchronization

The switching frequency in CCM state of JWH6344 can be synchronized to an external clock and the requirements for the external clock SYNC signal are:

Clock range: 100kHz to 1MHz

Clock frequency range: -30% to +50% of the free-running frequency set by RRT

Clock maximum voltage amplitude: 13V

Clock minimum pulse width: 50ns

resistor connected between RT pin and AGND, or synchronizing the JWH6344 to an external clock signal through the SYNCIN pin.

The switching frequency range adjusted by the RT resistor is from 100 kHz to 1MHz, and the RT resistance can be calculated by the Equation 5.

$$R_{RT}(k\Omega) = \frac{10^4}{f_{sw}(kHz)} - 0.3$$

Thermal Protection

When the junction temperature of the JWH6344 rises above 175°C, it is forced into thermal shut-down which both the high-side and low-side MOSFETs are turned off and the SS and PG are pulled low.

Only when the junction temperature drops below 155°C can the device restart again.

APPLICATION INFORMATION

Output Voltage Set

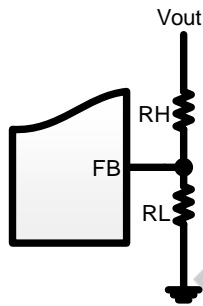
The output voltage is determined by the resistor divider connected at the FB pin, and the voltage ratio is:

$$V_{FB} = V_{out} * \frac{R_L}{R_H + R_L}$$

where V_{FB} is the feedback voltage and V_{OUT} is the output voltage.

If R_L is determined, and then R_H can be calculated by:

$$R_H = R_L * \left(\frac{V_{out}}{0.8} - 1 \right)$$



Input Capacitor

The input capacitor is used to supply the AC input current to the step-down converter and maintaining the DC input voltage. The ripple current through the input capacitor can be calculated by:

$$I_{CIN} = I_{OUT} * \sqrt{\frac{V_{out}}{V_{in}} * \left(1 - \frac{V_{out}}{V_{in}} \right)}$$

where I_{OUT} is the load current, V_{out} is the output voltage, V_{in} is the input voltage.

Thus the input capacitor can be calculated by the following equation when the input ripple voltage is determined.

$$C_{IN} = \frac{I_{OUT}}{f_{sw} * \Delta V_{in}} * \frac{V_{out}}{V_{in}} * \left(1 - \frac{V_{out}}{V_{in}} \right)$$

where C_{IN} is the input capacitance value, f_{sw} is the switching frequency, ΔV_{in} is the input ripple voltage.

The input capacitor can be electrolytic, tantalum or ceramic. To minimizing the potential noise, a small X5R or X7R ceramic capacitor, i.e. 0.1 μ F, should be placed as close to the IC as possible when using electrolytic capacitors.

A 4.7 μ F*2/100V ceramic capacitor is recommended in typical application.

Output Capacitor

The output capacitor is required to maintain the DC output voltage, and the capacitance value determines the output ripple voltage. The output voltage ripple can be calculated by:

$$\Delta V_{out} = \frac{V_{out}}{f_{sw} * L} * \left(1 - \frac{V_{out}}{V_{in}} \right) * \left(R_{ESR} + \frac{1}{8 * f_{sw} * C_{OUT}} \right)$$

where C_{OUT} is the output capacitance value and R_{ESR} is the equivalent series resistance value of the output capacitor.

The output capacitor can be low ESR electrolytic, tantalum or ceramic, which lower ESR capacitors get lower output ripple voltage. The output capacitors also affect the system stability and transient response.

Inductor

The inductor is used to supply constant current to the output load, and the value determines the ripple current which affect the efficiency and the output voltage ripple. The ripple current is typically allowed to be 30% of the maximum switch current limit, thus the inductance value can be calculated by:

$$L = \frac{V_{out}}{f_{sw} * \Delta I_L} * \left(1 - \frac{V_{out}}{V_{in}} \right)$$

where V_{in} is the input voltage, V_{out} is the output voltage, f_{sw} is the switching frequency, and ΔI_L is the peak-to-peak inductor ripple current.

$$I_{Lpeak} = I_{out} + 0.5 * \Delta I_L$$

Check the inductor datasheet to ensure that the saturation current of the inductor is well above the peak inductor current of a particular design.

External Bootstrap Capacitor

The bootstrap capacitor is required to supply voltage to the top switch driver. A 0.1 μ F low ESR ceramic capacitor is recommended to be connected to the BST pin and SW pin.

Power MOSFETs

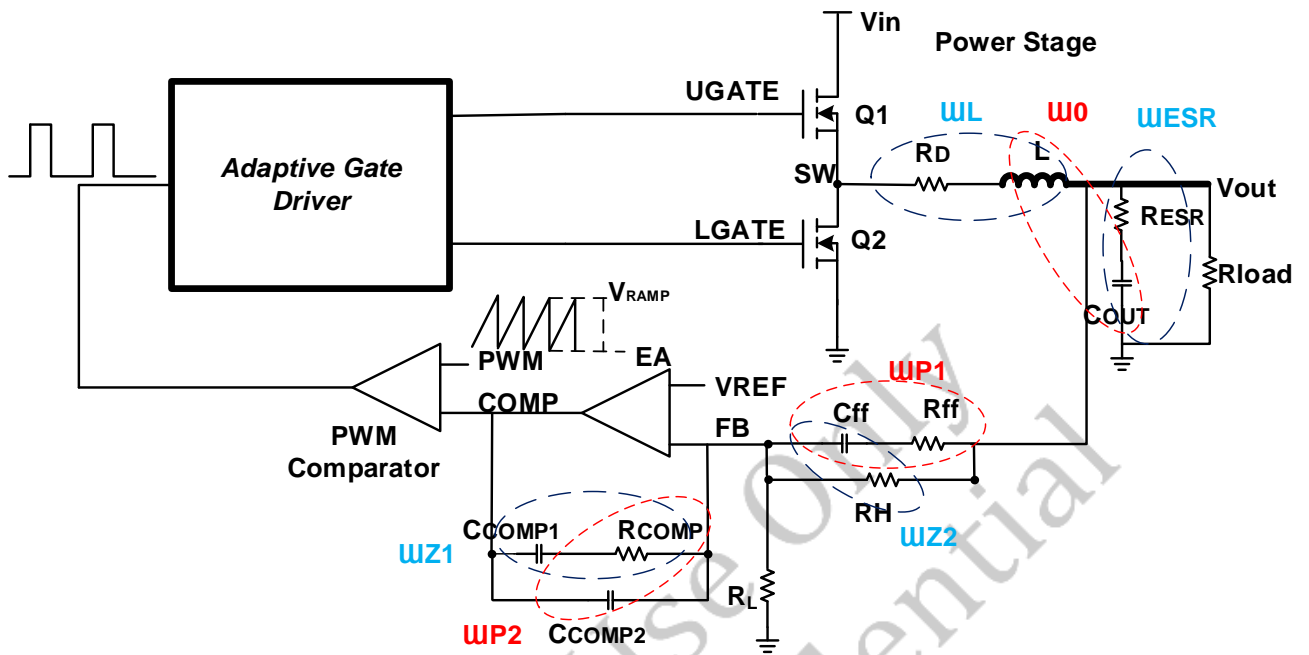
The choice of power MOSFETs has significant impact on DC-DC regulator performance. A MOSFET with low on state resistance, $R_{DS(on)}$, reduces conduction loss, whereas low parasitic capacitances enable faster transition times and reduced switching loss. Normally, the lower the $R_{DS(on)}$ of a MOSFET, the higher the gate charge and output charge (Q_G and Q_{oss} respectively). As a result, the product $R_{DS(on)} \times Q_G$ is commonly specified as a MOSFET figure-of-merit. Low thermal resistance ensures that the MOSFET power dissipation does not result in excessive MOSFET die temperature. The main parameters affecting power MOSFET selection in an JWH6344 application are as follows:

- $R_{DS(on)}$ at $V_{GS} = 7.5$ V;
- Drain-source voltage rating, BV_{DSS} , typically 60 V, 80 V or 100 V, depending on maximum input voltage;
- Gate charge parameters at $V_{GS} = 7.5$ V;
- Output charge, Q_{OSS} , at the relevant input voltage;
- Body diode reverse recovery charge, Q_{RR} ;

- Gate threshold voltage, $V_{GS(th)}$, derived from the plateau in the Q_G vs. V_{GS} plot in the MOSFET data sheet. With a MOSFET Miller plateau voltage typically in the range of 3 V to 5 V, the 7.5-V gate drive amplitude of the JWH6344 provides an adequately-enhanced MOSFET when on and a margin against C_{dv}/dt shoot-through when off.

Control Loop Compensation

The poles and zeros inherent to the power stage and compensator are respectively illustrated by red and blue dashed rings in the schematic embedded in Table 1. The compensation network typically employed with voltage-mode control is a Type-III circuit with three poles and two zeros. One compensator pole is located at the origin to realize high DC gain. The normal compensation strategy uses two compensator zeros to counteract the LC double pole, one compensator pole located to nullify the output capacitor ESR zero, with the remaining compensator pole located at one-half switching frequency to attenuate high frequency noise. The resistor divider network to FB determines the desired output voltage. Note that the lower feedback resistor, R_L , has no impact on the control loop from an AC standpoint because the FB node is the input to an error amplifier and is effectively at AC ground. Hence, the control loop is designed irrespective of output voltage level. The proviso here is the necessary output capacitance derating with bias voltage and temperature.



| POWER STAGE POLES | POWER STAGE ZEROS | COMPENSATOR POLES | COMPENSATOR ZEROS |
|--|---|---|--|
| $\omega_0 = \frac{1}{\sqrt{L * C_{OUT} \left(\frac{1 + R_{ESR}/R_{load}}{1 + R_{ESR}/R_D} \right)}}$ $\approx \frac{1}{\sqrt{L * C_{OUT}}}$ | $\omega_{ESR} = \frac{1}{R_{ESR} * C_{OUT}}$ $\omega_L = \frac{L}{R_D}$ | $\omega_{P1} = \frac{1}{R_{ff} * C_{ff}}$ $\omega_{P2} = \frac{1}{R_{COMP} * (C_{COMP1} // C_{COMP2})}$ | $\omega_{Z1} = \frac{1}{R_{COMP} * C_{COMP1}}$ $\omega_{Z2} = \frac{1}{(R_H + R_{ff}) * C_{ff}}$ |

Table1: Buck Regulator Poles and Zero

Note: RESR represents the ESR of the output capacitor COUT.

$R_D = D * R_{dsonUGate} + (1 - D) * R_{dsonLGate} + R_{DCR}$, shown as a lumped element in the schematic, represents the effective series damping resistance.

The small-signal open-loop response of a buck regulator is the product of modulator, power train and compensator transfer functions. The power stage transfer function can be represented as a complex pole pair associated with the output LC filter and a zero related to the ESR of the output capacitor. The DC (and low frequency) gain of the modulator and power

stage is V_{IN}/V_{RAMP} . The gain from COMP to the average voltage at the input of the LC filter is held essentially constant by the PWM line feedforward feature of the JWH6344 (15 V/V or 23.5 dB).

Complete expressions for small-signal frequency analysis are presented in Table 2. The transfer functions are denoted in

normalized form. While the loop gain is of primary importance, a regulator is not specified directly by its loop gain but by its performance related characteristics, namely closed-loop output impedance and audio susceptibility.

| TRANSFER FUNCTION | EXPRESSION |
|--|---|
| Open-loop transfer function | $T_V(S) = \frac{v_{comp}(S)}{v_o(S)} * \frac{v_o(S)}{d(s)}$ $= G_C(S) * G_{VD}(S) * F_M$ |
| Duty-cycle-to-output transfer function | $G_{VD}(S) = \frac{v_o(S)}{d(s)} _{vin(S) = 0; iO(S) = 0}$ $= V_{IN} * \frac{1 + \frac{S}{\omega_{ESR}}}{1 + \frac{S}{Q_0 * \omega_0} + \frac{S^2}{\omega_0^2}}$ |
| Compensator transfer function | $G_C(S) = \frac{v_{comp}(S)}{v_o(S)}$ $= K_{mid} * \frac{(1 + \frac{\omega_{Z1}}{S}) * (1 + \frac{S}{\omega_{Z2}})}{(1 + \frac{S}{\omega_{P1}}) * (1 + \frac{S}{\omega_{P2}})}$ |
| Modulator transfer function | $F_M = \frac{d(s)}{v_{comp}(S)} = \frac{1}{V_{RAM}}$ |

Table2: Buck Regulator Small-Signal Analysis

Note: Kmid = RCOMP1/RH is the mid-band gain of the compensator. By expressing one of the compensator zeros in inverted zero format, the midband gain is denoted explicitly.

If the pole located at wp1 cancels the zero located at wESR and the pole at wp2 is located well above crossover, the expression for the loop gain, Tv(s) in Table 2, can be manipulated to yield the simplified expression given in below Equation.

$$T_V(S) = R_{COMP} * C_{ff} * \frac{V_{IN}}{V_{RAM}} * \frac{\omega_0^2}{S}$$

Essentially, a multi-order system is reduced to a single-order approximation by judicious choice of compensator components. The crossover frequency can be calculate by below Equation

$$\omega_c = 2 * \pi * f_c = \omega_0 * K_{mid} * \frac{V_{IN}}{V_{RAM}}$$

$$K_{mid} = \frac{f_c}{f_0} * \frac{1}{K_{FF}} = \frac{R_{COMP}}{R_H}$$

The loop crossover frequency is usually selected between one-tenth to one-fifth of switching frequency. Inserting an appropriate crossover frequency into Equation Wc gives a target for the mid-band gain of the compensator, Kmid. Given an initial value for RH, RH is then selected based on the desired output voltage. Values for RCOMP, Rff, CCOMP1, CCOMP1 and Cff are calculated from the design expressions listed in Table 3, with the premise that the compensator poles and zeros are set as follows: Wz1 = 0.5·Wo, Wz2 = Wo, Wp1 =WESR, Wp2 = WSW

| RESISTORS | CAPACITORS |
|--|--|
| $R_L = \frac{R_H}{\left(\frac{V_{OUT}}{0.8} - 1\right)}$ | $C_{COMP1} = \frac{2}{\omega_{Z1} * R_{COMP}}$ |
| $R_{COMP} = K_{mid} * R_H$ | $C_{COMP2} = \frac{1}{\omega_{P2} * R_{COMP}}$ |
| $R_{ff} = \frac{1}{\omega_{P1} * C_{ff}}$ | $C_{ff} = \frac{1}{\omega_{Z2} * R_H}$ |

Table3: Compensation Component Selection

PCB Layout Note

For minimum noise problem and best operating performance, the PCB is preferred to following the guidelines as reference.

1. Place the input decoupling capacitor as close to JWH6344 (VIN pin and GND pin) as possible to eliminate noise at the input pin. The loop area formed by input capacitor and GND must be minimized.

2. Put the feedback trace as short as possible, and far away from the inductor and noisy power traces like SW node.
3. Keep the switching node SW short to prevent excessive capacitive coupling
4. Make Vin, Vout and ground bus connections as wide as possible. This reduces any voltage drops on the input or output paths of the converter and maximizes efficiency.

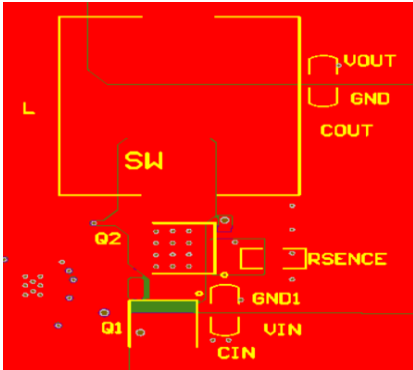


Figure 18. Top Layer

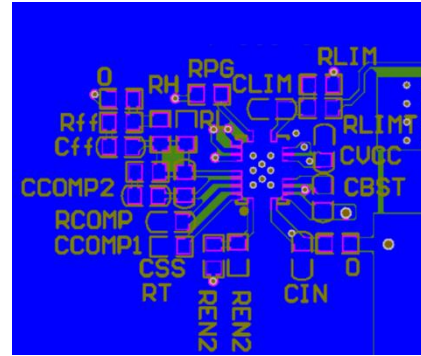


Figure 19. Bottom Layer

For 纳恩博 Use Only
JoulWatt Confidential

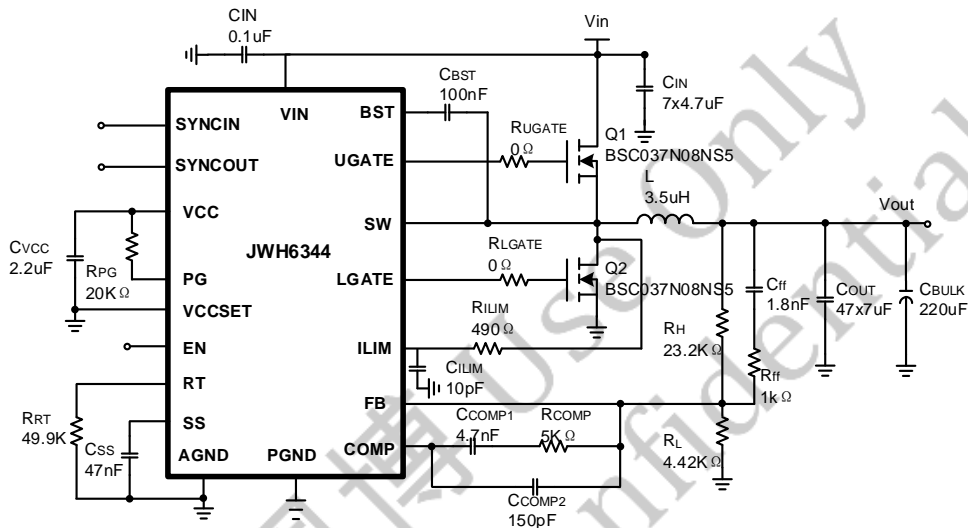
REFERENCE DESIGN

V_{IN}: 7V~65V

V_{OUT}: 5V

Frequency: 200kHz

I_{OUT}: 0~20A



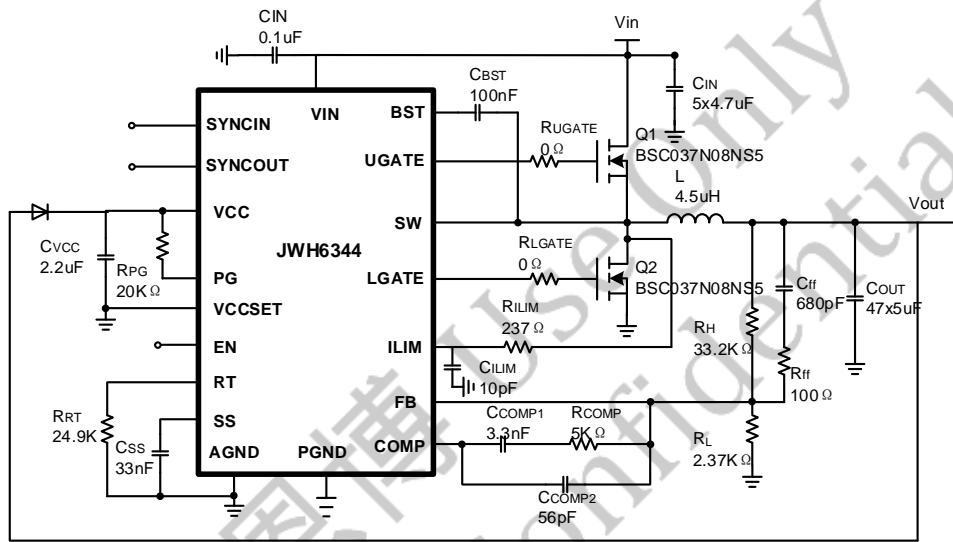
REFERENCE DESIGN

V_{IN}: 15V~65V

V_{OUT}: 12V

Frequency: 400kHz

I_{OUT}: 0~10A



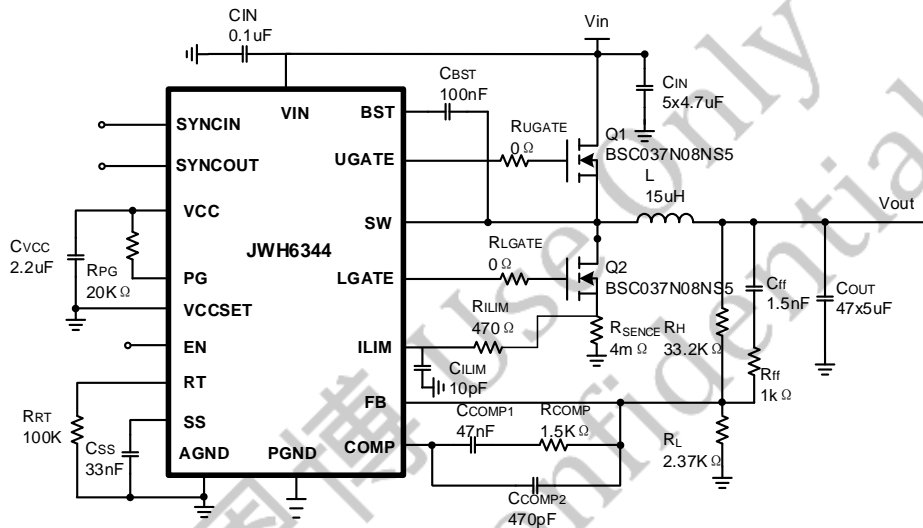
REFERENCE DESIGN

V_{IN}: 15V~65V

V_{OUT}: 12V

Frequency: 100kHz

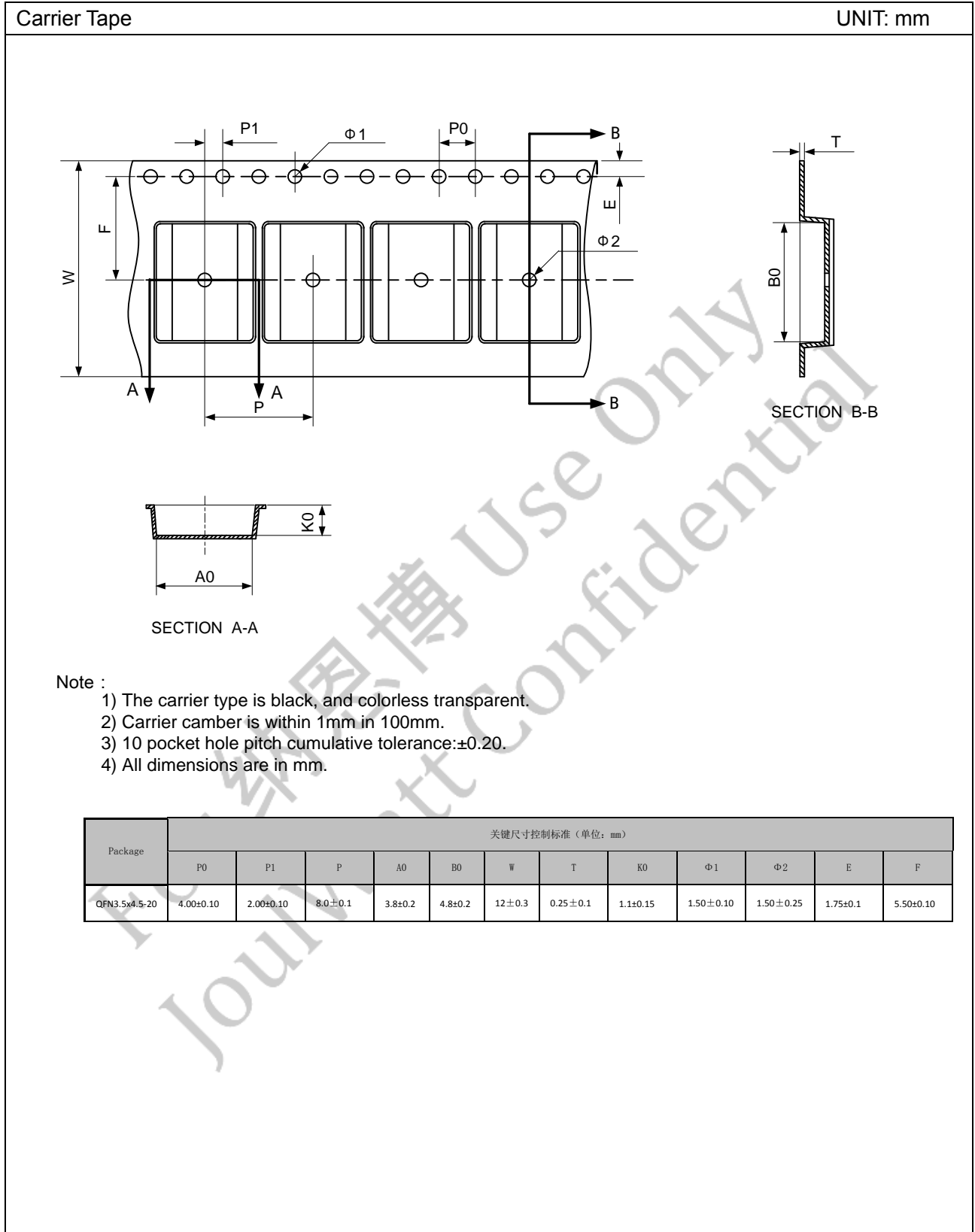
I_{OUT}: 0~10A



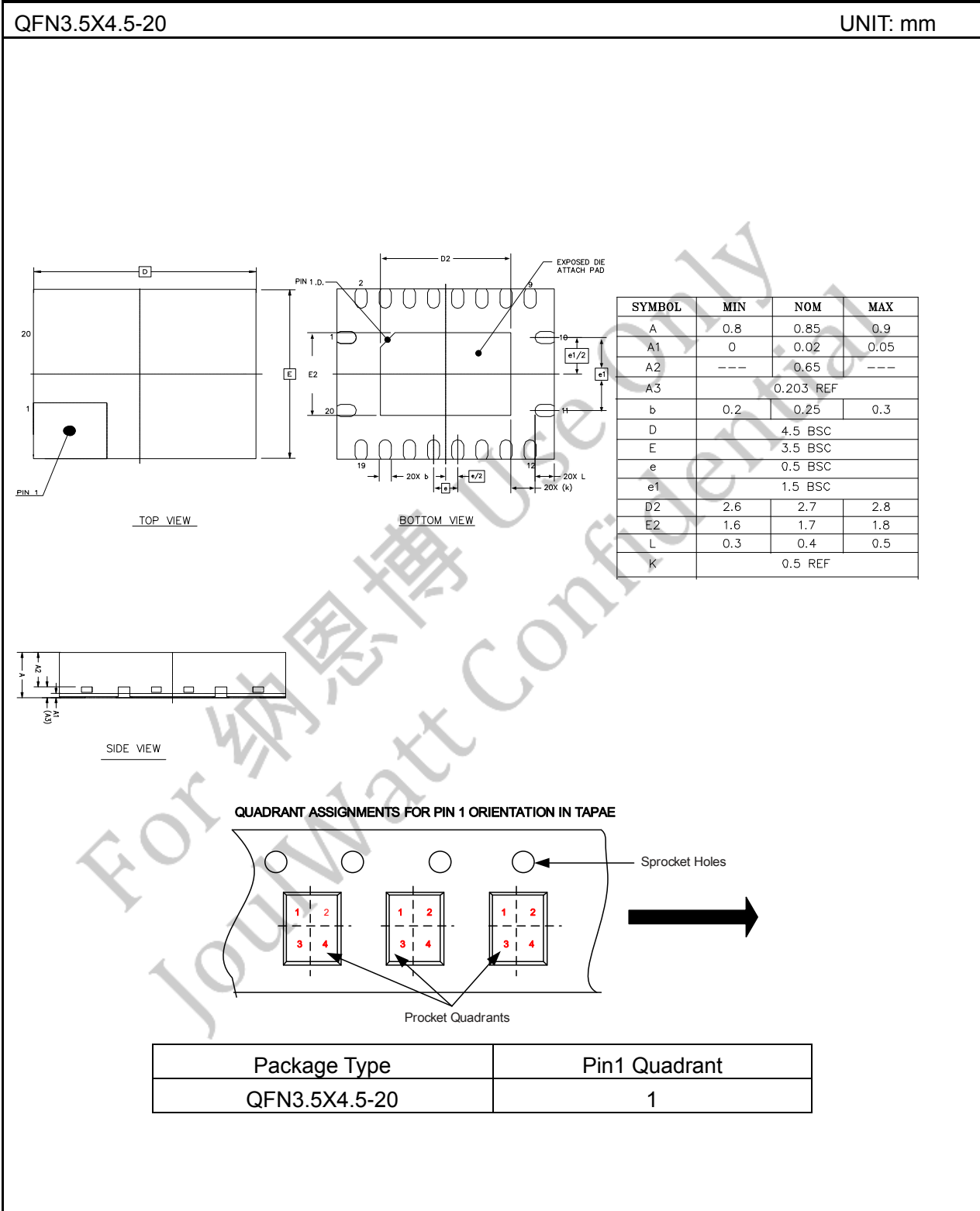
TAPE AND REEL INFORMATION

Reel UNIT: mm

| Package | Diameter ϕ | Thickness W1 | Width W2 | W4 |
|---------------|--------------------|-----------------|-------------|-------|
| QFN3.5X4.5-20 | 330±2 | 17.6±2 | 12.4±2 | 100±2 |



PACKAGE OUTLINE



IMPORTANT NOTICE

- Joulwatt Technology Inc. reserves the right to make modifications, enhancements, improvements, corrections or other changes without further notice to this document and any product described herein.
- Any unauthorized redistribution or copy of this document for any purpose is strictly forbidden.
- Joulwatt Technology Inc. does not warrant or accept any liability whatsoever in respect of any products purchased through unauthorized sales channel.

For 纳恩博 Use Only
JoulWatt Confidential

Copyright © 2020 JWH6344 Incorporated.

All rights are reserved by Joulwatt Technology Inc.